

Ultrasonic Water Meter

Mod. UWM-BT

The UWM-BT Battery operated Ultrasonic Water Meter is high reliable watermeter that works with the ultrasonic technology. This innovative system permit to measure the instantaneous flow rate and the accumulated value with a robust and reliable technology.

The sensor position permits to not have any hindrance in the flow section, granting excellent accuracy also at very low flow rates and very low pressure loss values. The mod. UWM-BT watermeter works very well with dirty water with particles or debris inside; there aren't mechanical elements in the flow and this grants a very long lifespan and no blocking possibilities in these conditions.

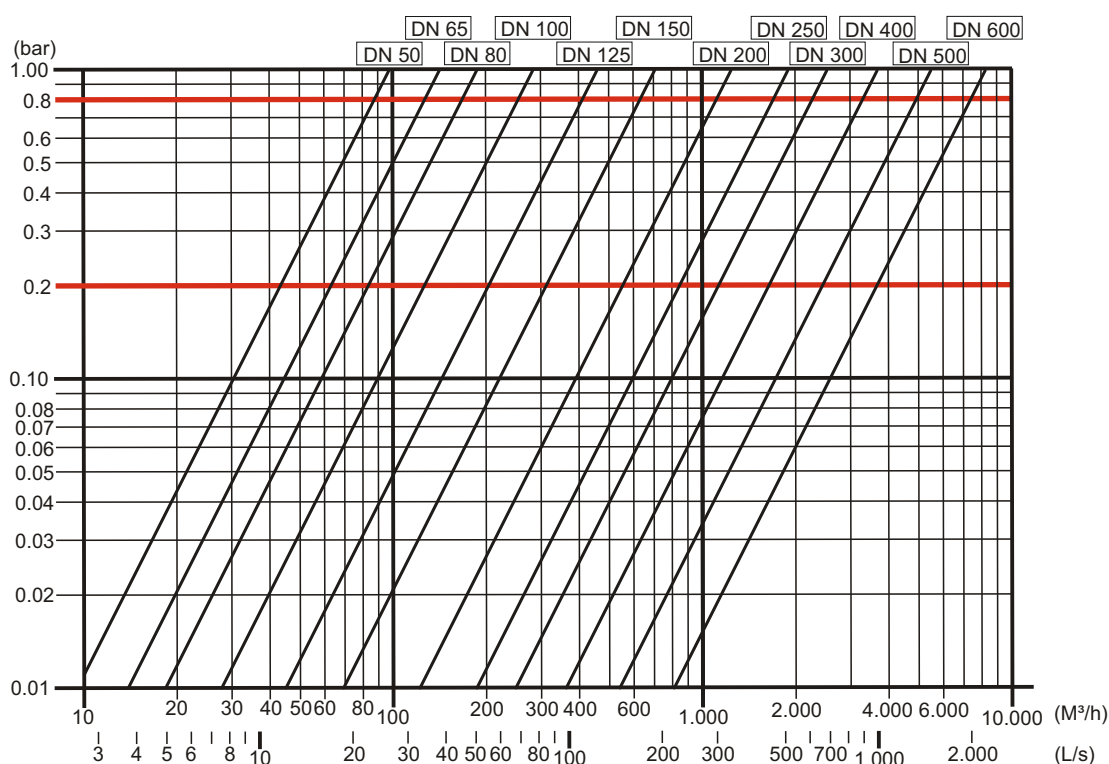
This equipment is powered by a stand alone battery that can works for about 10 years.



Technical Specifications

- Size Range from DN 50 (2") up to DN 600 (24").
- Maximum Pressure PN 16.
- Temperature class: T30, T50, higher on demand.
- Flow Profile Sensitivity: U0D0.
- Accuracy Class: 2.
- Environment Temperature: $-20^{\circ}\text{C} \sim +70^{\circ}\text{C}$.
- Bidirectional Measurement.
- No mechanic moving parts inside the flow.
- Connection Flanges: ISO PN 16, PN 10, ANSI 150, other on demand.
- Battery: 3,6V lithium battery, 10 years lifetime.
- Electromagnetic environmental class: E2.
- Climatic Environmental class: C.
- Output: RS 485 and Pulse, 1 meter cable included, 4-20mA (other standars on demand).
- Data Storage: last 7x24h, 365 days and 72 months.
- Optional Pressure Sensor.
- 9 digit LCD display with prompts:
 - Cumulative Flow (m^3 , l, gal)
 - Istantaneous Flow (m^3/h , l/min, GPM)
 - Flow Direction
 - Battery Level
 - Alarms
 - Output mode
 - Pressure Value (optional).

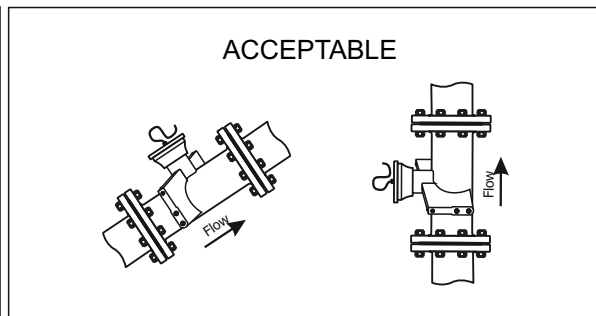
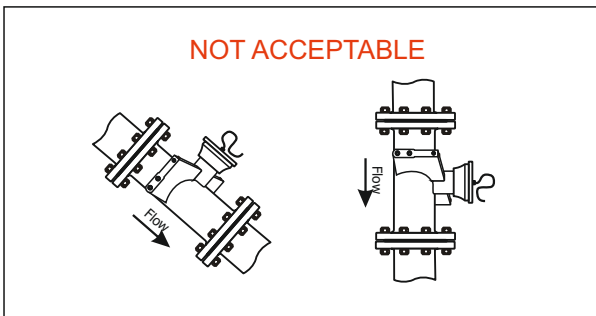
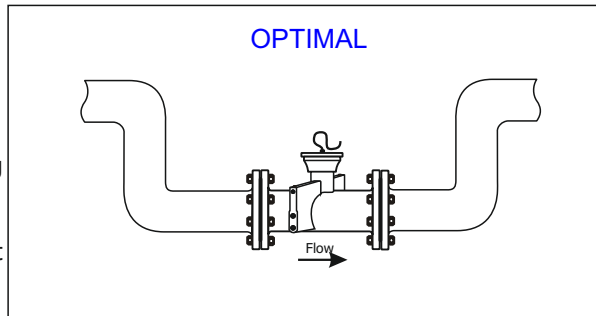
PRESSURE HEAD LOSS



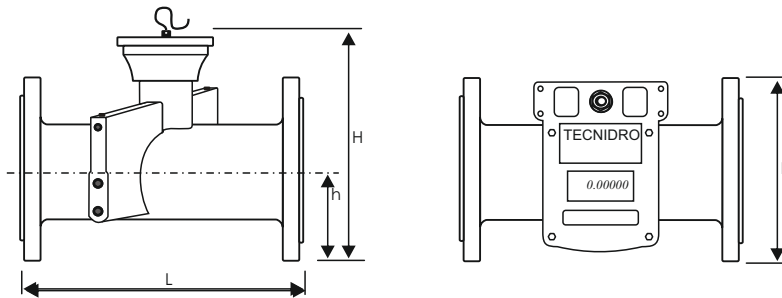
Ultrasonic Water Meter Mod. UWM-BT

Installation Reccomendations:

- Maximum Pressure:
16 bar
- Pipe must be always totally filled with water.
- Vertical or diagonal installation must be with ascending flow.
- Minimum distance upstream and downstream not needed.



Dimensions and Measuring Range:



Ø	Ø	L	H	h	B	Peso	Qmin	Q1	Q2	Q3	Q4	R(Q3/Q1)
(mm)	(inch)	(mm)	(mm)	(mm)	(mm)	(Kg)	(m³/h)	(m³/h)	(m³/h)	(m³/h)	(m³/h)	-
50	2"	200	205	65	153	8.6	0.015	0.08	0.13	40	50	500
65	2 1/2"	200	215	68	178	9.5	0.025	0.126	0.20	63	78.75	500
80	3"	225	236	95	191	14.4	0.034	0.126	0.20	63	78.75	500
100	4"	250	256	105	228	18.0	0.054	0.2	0.32	100	125	500
125	5"	250	276	117	254	23.5	0.084	0.32	0.51	160	200	500
150	6"	300	300	130	280	30.0	0.121	0.50	0.80	250	312.5	500
200	8"	350	342	155	340	42.7	0.215	0.80	1.28	400	500	500
250	10"	450	397	194	395	84.5	0.336	2.00	3.20	1000	1250	500
300	12"	500	448	230	445	84.5	0.483	2.00	3.20	1000	1250	500
400*	16"	600	584	278	565	126.0	0.859	10.0	16.0	2500	3125	250
500*	20"	600	724	318	645	153.0	1.343	16.0	25.5	4000	5000	250
600*	24"	800	800	374	755	197.0	2.147	20.0	37.0	5000	7000	250

*NOTE: AISI 304 Stainless Steel body