

TECNIDRO[®]

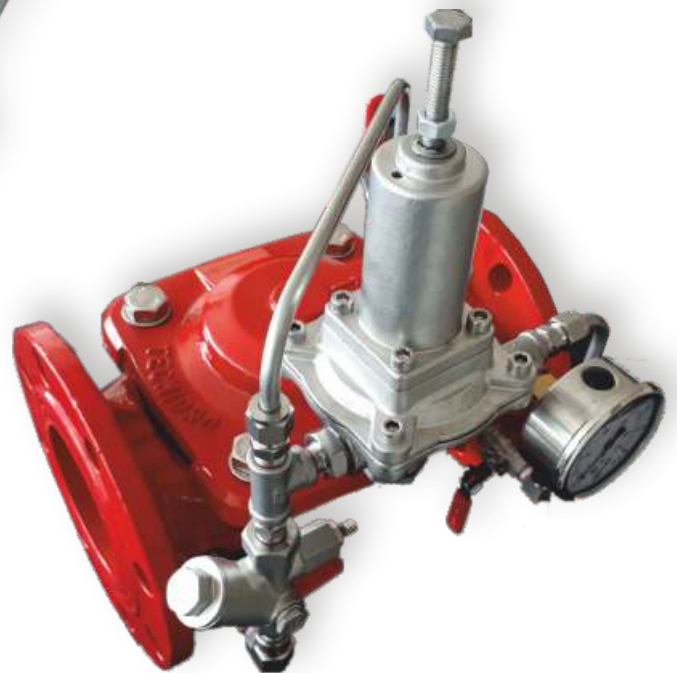


Fire Protection Valves

 *since 1987*



Deluge Valves

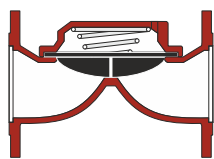


& Water Control Valves

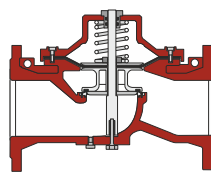


Italian manufacturer of automatic valves
for water and foam extinguishing systems

IM-F Series (diaphragm type)



HM-F Series (globe type)



IDROMEMBRANA®



Std. Materials:

Body and bonnet: Ductile Iron EN GJS 400 / ASTM A536
 Verniciatura: High Built Fusion Bonded Epoxy, Red RAL3000
 Diaphragm: Nylon Reinforced NR Rubber
 Spring: AISI302 Stainless Steel
 Support: PP
 Bolts: class A2 Stainless Steel
 Trims: stainless steel, brass/copper

Std. Features:

Fluids: water, foam
 Pressures: design 17,2 [bar] (250 psi)
 working min. 1,5 [bar] (21,0 psi)
 Temperatures: fluid +0,5/+50 [°C] (+32/+122 °F)
 ambient -20/+90 [°C] (-4/+194 °F)
 Installation: horizontal or vertical

Sizes: ● std. ● on request

SIZE		Threaded	Grooved	Flanged
		BSP F NPT F		ISO PN10/16 ANSI150#RF-FF
DN 25	1"	●	○	○
DN 32	1 1/4"	●	○	○
DN 40	1 1/2"	●	●	○
DN 50	2"	● (E)	●	●
DN 65	2 1/2"	●	●	●
DN 80	3"	● (E)	● (E)	●
DN100	4"	●	● (E)	●
DN125	5"	○	○	●
DN150	6"	○	●	●
DN200	8"	○	●	●
DN250	10"	○	○	●
DN300	12"	○	○	●
DN350	14"	○	○	●
DN400	16"	○	○	●

Notes: straight or (E) elbow pattern

HYDROMODUL®



Std. Materials:

Body and bonnet: Ductile Iron EN GJS 4/500 / ASTM A536
 Verniciatura: High Built Fusion Bonded Epoxy, Red RAL3000
 Diaphragm: Nylon Reinforced EPDM
 Spring: AISI302 Stainless Steel
 Stem: AISI304/316 Stainless Steel
 Seat: AISI304/316 Stainless Steel
 Bolts: class A2 Stainless Steel
 Trims: stainless steel, brass/copper

Std. Features:

Fluids: water, foam
 Pressures: design 25,0 [bar] (365 psi)
 working min. 0,0/1,5 [bar] (0,0/21,0 psi)
 Temperatures: fluid +0,5/+70 [°C] (+32/+158 °F)
 ambient -20/+90 [°C] (-4/+194 °F)
 Installation: horizontal or vertical

Sizes: ● std. ● on request

SIZE		Threaded	Grooved	Flanged
		BSP F NPT F		ISO PN10/16/25 ANSI150#RF-FF
DN 25	1"	○	○	○
DN 32	1 1/4"	●	●	○
DN 40	1 1/2"	●	●	○
DN 50	2"	●	●	●
DN 65	2 1/2"	○	○	●
DN 80	3"	○	●	●
DN100	4"	○	●	●
DN125	5"	○	○	●
DN150	6"	○	●	●
DN200	8"	○	○	●
DN250	10"	○	○	●
DN300	12"	○	○	●
DN350	14"	○	○	●
DN400	16"	○	○	●



Fire Protection Systems

Main Models:

- Manual Reset Electric Deluge (classic)
- On-Off Electric Deluge
- Pneumatic Deluge
- Electric & Pneumatic Deluge
- Pressure Control & E/P Deluge
- Dry Pipe Valve
- Single/Double Interlock E/P Pre-Action
- Foam Concentrate Valve
- Local/Remote Monitor Valve
- Local/Remote Hydrant Valve



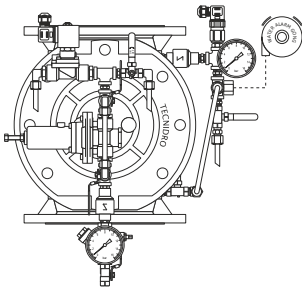
Main Applications:

- Water Extinguishing Systems
- Water Mist Systems
- Foam Bladder Tanks and Monitors
- Fire Hydrant Networks
- Road & Railway Tunnels
- Marine, Naval & Offshore Platforms
- Explosive Storage Sites
- Helipads and Hangars



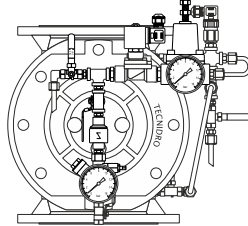
Manual Reset
Electric Deluge

Mod. IM-FD 240



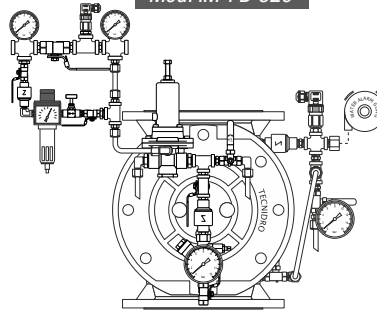
On-Off Electric Deluge
& Pressure Control

Mod. IM-FR 240



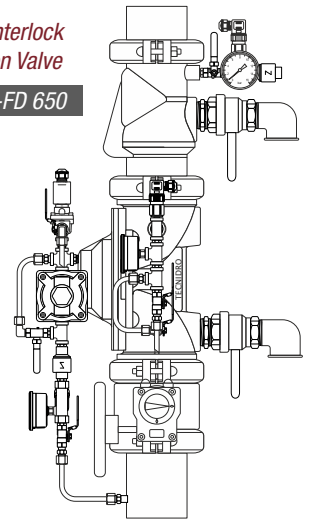
Pneumatic Deluge
& Air Maintenance Kit

Mod. IM-FD 320



Single Interlock
Preaction Valve

Mod. IM-FD 650



Water Control Systems

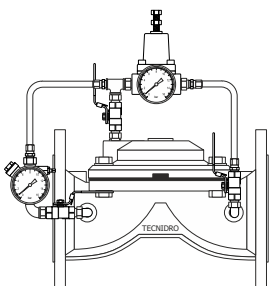
Main Models:

- Pressure Control
- Pressure Relief
- Water Level Control
- Automatic Drainage



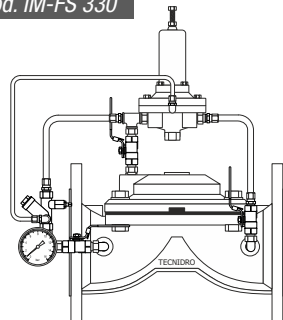
Pressure Reducing

Mod. IM-FR 220



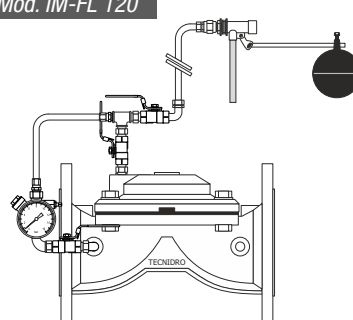
Pressure Relief

Mod. IM-FS 330



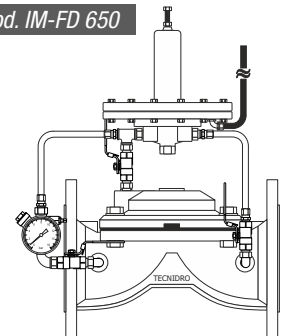
Level Control

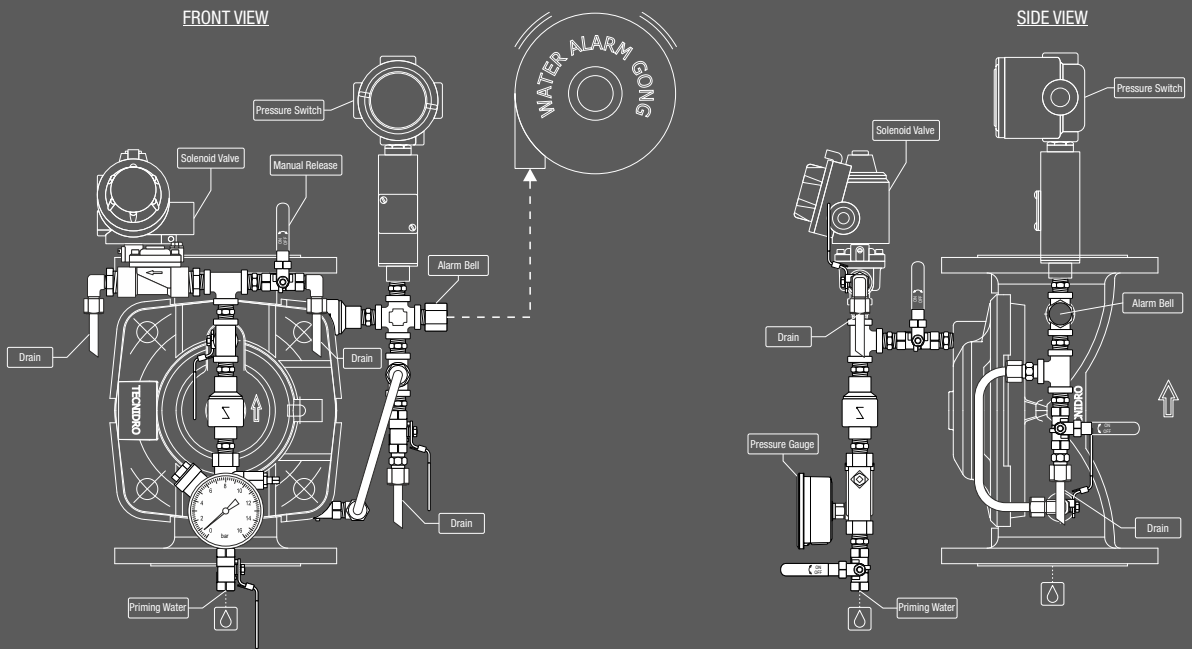
Mod. IM-FL 120



Altitude Control

Mod. IM-FD 650





TECNIDRO

ISO
9001

CE

TECNIDRO S.r.l.
Via Girolamo Gastaldi, 26F
16163 - Genova - IT
www.tecnidro.com